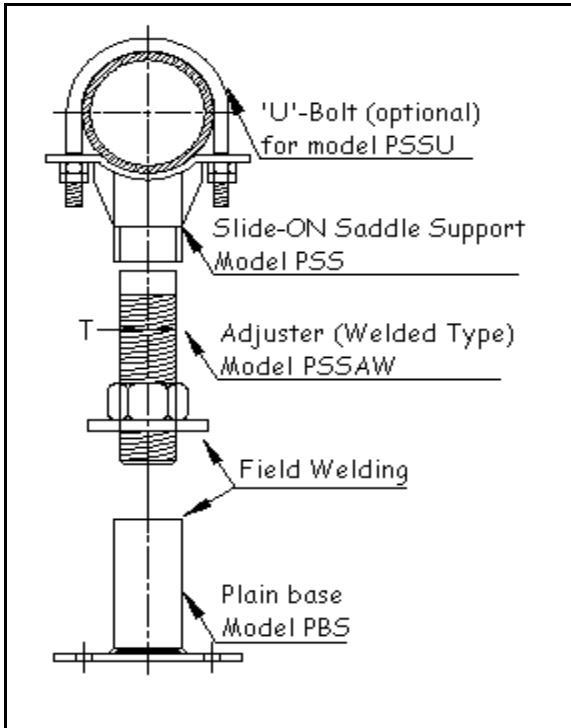


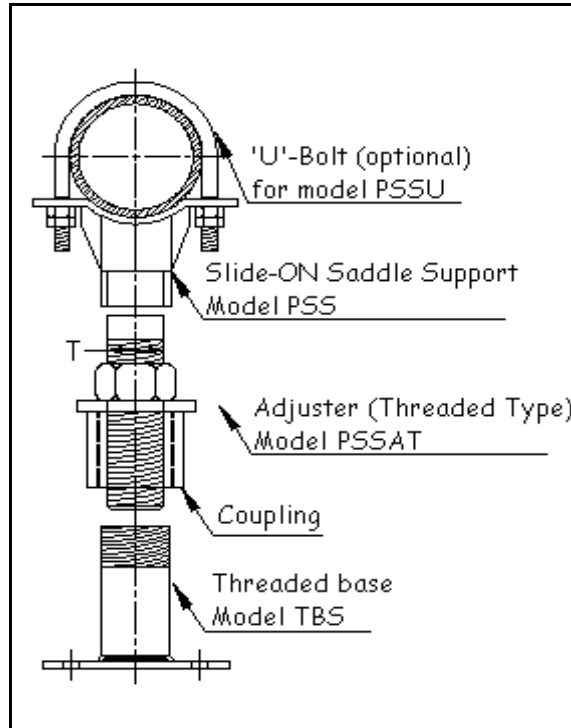
# VIBRATION MANAGEMENT CORPORATION

5930 THOMAS ROAD , HOUSTON , TEXAS 77041 , U.S.A

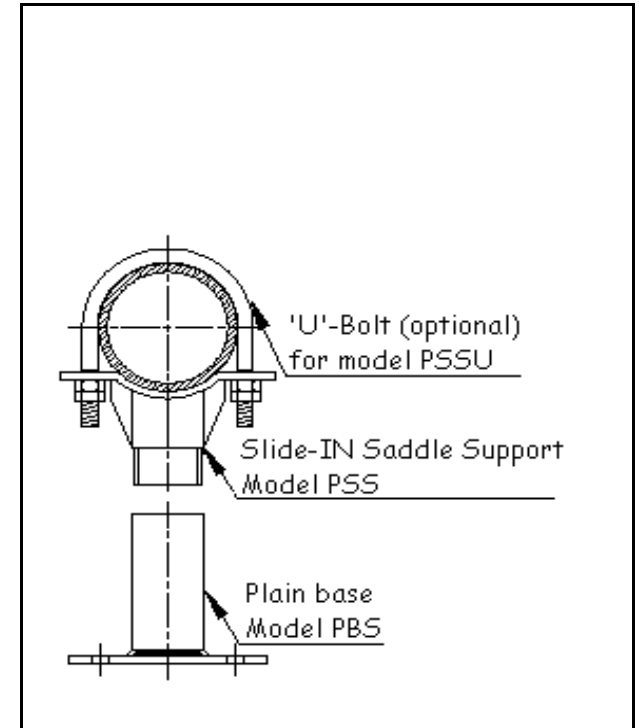
INTERNET ADDRESS: [www.vimco.biz](http://www.vimco.biz)



**Model PSS(U)-PSSAW-PBS**  
(with height adjustment)



**Model PSS(U)-PSSAT-TBS**  
(with height adjustment)



**Model PSS(U)-PBS**  
(without height adjustment)

Notes / Remarks :	Project :		<b>Pipe Saddle Support Configurations</b>	Drawing no. <b>S-2733.39</b>
	Client :			
	Consultant :			
	Representative :			
			<b>Rev. 0</b>	