

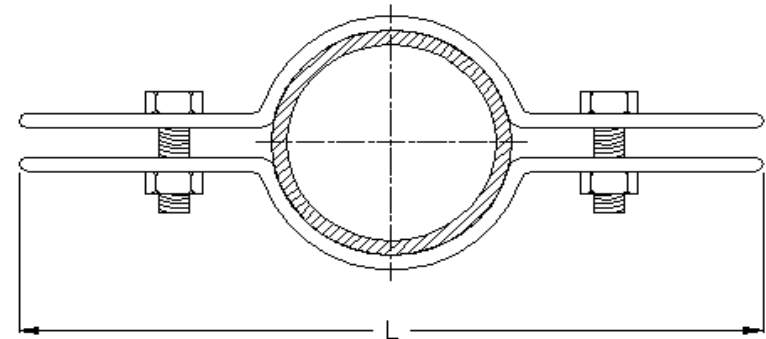
VIBRATION MANAGEMENT CORPORATION

5930 THOMAS ROAD , HOUSTON , TEXAS 77041 , U.S.A

INTERNET ADDRESS: www.vimco.biz



MODEL	PIPE SIZE (inches)	LENGTH L (inches)	MAX. LOAD (lbs)
SRPC-5-x	1/2	9	255
SRPC-7-x	3/4	9 1/4	255
SRPC-10-x	1	9 9/16	255
SRPC-12-x	1 1/4	10	255
SRPC-15-x	1 1/2	10 5/16	255
SRPC-20-x	2	10 3/4	255
SRPC-25-x	2 1/2	11 1/4	390
SRPC-30-x	3	11 15/16	530
SRPC-35-x	3 1/2	12 3/8	670
SRPC-40-x	4	12 7/8	810
SRPC-50-x	5	14	1160
SRPC-60-x	6	15 1/16	1570
SRPC-80-x	8	17 1/4	2500
SRPC-100-x	10	19 7/16	2500
SRPC-120-x	12	21 11/16	2700
SRPC-140-x	14	23 1/2	2700
SRPC-160-x	16	25 5/8	2900
SRPC-180-x	18	27 5/8	2900
SRPC-200-x	20	30	2900
SRPC-240-x	24	33 1/2	2900
SRPC-280-x	28	38	2900
SRPC-300-x	30	40	2900
SRPC-320-x	32	42	2900



MATERIALS

Item	Description
Clamp	Low carbon steel
Bolt + nuts	Low carbon steel

APPLICATION

- * Support and stabilization of insulated / non-insulated vertical pipe runs.

FEATURES

- * Design allows distribution of piping weight over several floors.

SPECIFICATIONS

- * Complies with Federal Specification A-A-1192A (Type 8)
- * Complies with ANSI/MSS SP-58-2009 (Type 8)

NOTES

1. Choose appropriate model for required finish:
P-Plain. G-Electro Galvanized. H-Hot Dip Galvanized (non-threaded components only)
2. Contact factory for copper pipe applications.
3. Add "L" to model suffix to add 1/8" internal elastomeric lining (e.g. SRPCL). ID of lined clamp will reduce by 1/4"

<u>Notes / Remarks :</u>	Project :	Title : SRPC Standard Riser Pipe Clamp	Drawing no. S-2736.01
	Client :		
	Consultant :		
	Representative :		
			Rev. 3