

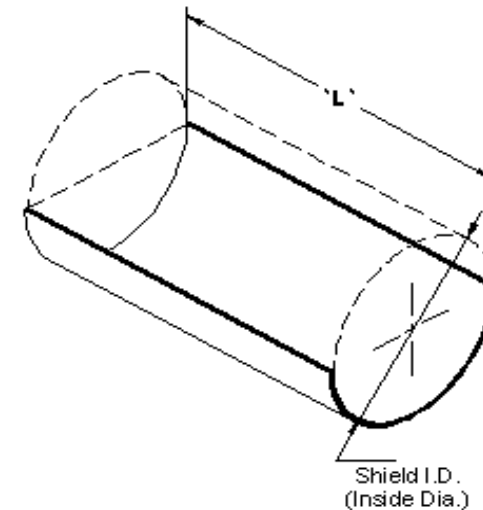
# VIBRATION MANAGEMENT CORPORATION

5930 THOMAS ROAD , HOUSTON , TEXAS 77041 , U.S.A

INTERNET ADDRESS: [www.vimco.biz](http://www.vimco.biz)



MODEL	SHIELD SIZE (inches)	I.D. (inches)	LENGTH (inches)
SIPS-15	1 1/2	1.90	3
SIPS-20	2	2.38	3
SIPS-25	2 1/2	2.88	4
SIPS-30	3	3.50	4
SIPS-35	3 1/2	4.00	4
SIPS-40	4	4.50	6
SIPS-45	4 1/2	5.00	6
SIPS-50	5	5.56	6
SIPS-60	6	6.64	6
SIPS-70	7	7.64	6
SIPS-80	8	8.64	6
SIPS-90	9	9.64	6
SIPS-100	10	10.76	6
SIPS-110	11	11.76	8
SIPS-120	12	12.76	8
SIPS-140	14	14.00	8
SIPS-150	15	15.00	8
SIPS-160	16	16.00	8
SIPS-170	17	17.00	10
SIPS-180	18	18.00	10
SIPS-200	20	20.00	10
SIPS-220	22	22.00	10
SIPS-240	24	24.00	10
SIPS-300	30	30.00	12
SIPS-360	36	36.00	12



### MATERIALS

Item	Description
Shield	Galvanised steel

### NOTES

1. Refer insulated pipe sizing charts for selection information.

### APPLICATION

\* Protection of foam, fiberglass, or high density insulation when used with pipe supports.

Notes / Remarks :	Project :	<b>SIPS</b> Short Insulation Protection Shield	Drawing no. <b>S-2739.01</b>  Rev. 2
	Client :		
	Consultant :		
	Representative :		