

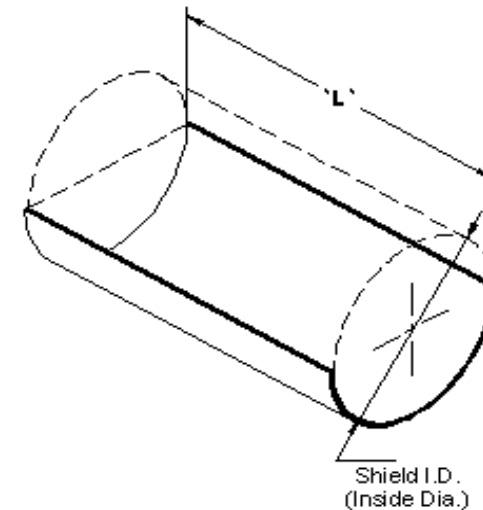
VIBRATION MANAGEMENT CORPORATION

5930 THOMAS ROAD , HOUSTON , TEXAS 77041 , U.S.A

INTERNET ADDRESS: www.vimco.biz



MODEL	SHIELD SIZE (inches)	I.D. (inches)	LENGTH (inches)
IPS-15	1 1/2	1.90	12
IPS-20	2	2.38	12
IPS-25	2 1/2	2.88	12
IPS-30	3	3.50	12
IPS-35	3 1/2	4.00	12
IPS-40	4	4.50	12
IPS-45	4 1/2	5.00	12
IPS-50	5	5.56	12
IPS-60	6	6.64	12
IPS-70	7	7.64	18
IPS-80	8	8.64	18
IPS-90	9	9.64	18
IPS-100	10	10.76	18
IPS-110	11	11.76	24
IPS-120	12	12.76	24
IPS-140	14	14.00	24
IPS-150	15	15.00	24
IPS-160	16	16.00	24
IPS-170	17	17.00	24
IPS-180	18	18.00	24
IPS-200	20	20.00	24
IPS-220	22	22.00	24
IPS-240	24	24.00	24
IPS-300	30	30.00	24
IPS-360	36	36.00	24



MATERIALS

Item	Description
Shield	Galvanised steel

SPECIFICATIONS

- * Complies with Federal Specification A-A-1192A (Type 41)
- * Complies with ANSI/MSS SP-58-2009 (Type 40)

NOTES

1. Refer insulated pipe sizing charts for selection information.

APPLICATION

- * Protection of insulation when used with pipe supports.

<u>Notes / Remarks :</u>	<u>Project</u> :	<u>Title :</u> IPS Insulation Protection Shield	<u>Drawing no.</u> S-2739.02
	<u>Client</u> :		
	<u>Consultant</u> :		
	<u>Representative</u> :		
		<u>Rev.</u> 1	