

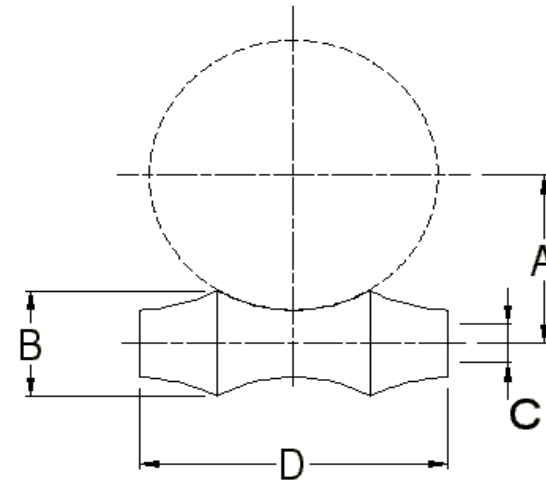
# VIBRATION MANAGEMENT CORPORATION

5930 THOMAS ROAD , HOUSTON , TEXAS 77041 , U.S.A

INTERNET ADDRESS: [www.vimco.biz](http://www.vimco.biz)



MODEL	PIPE SIZE (inches)	PART DIMENSIONS (inches)				MAX. LOAD (lbs)
		A	B	C (Axle dia.)	D	
LR-20-x	2	1 9/16	1 1/16	3/8	2 5/8	300
LR-25-x	2 1/2	1 7/8	1 1/4	1/2	3 1/8	660
LR-30-x	3	2 3/16	1 3/8	1/2	3 3/4	700
LR-35-x	3 1/2	2 1/2	1 1/2	1/2	4 1/4	750
LR-40-x	4	2 3/4	1 19/32	1/2	4 3/4	750
LR-50-x	5	3 3/8	1 7/8	5/8	5 13/16	750
LR-60-x	6	3 15/16	2 1/8	3/4	6 7/8	1070
LR-80-x	8	5 1/16	2 5/8	7/8	8 7/8	1350
LR-100-x	10	6 1/4	3 3/16	7/8	11	1730
LR-120-x	12	7 3/8	3 3/4	1	13	2400
LR-140-x	14	8 1/4	4 3/8	1 1/8	14 1/4	3130
LR-160-x	16	9 1/4	4 5/8	1 1/4	16 1/4	3970
LR-180-x	18	10 3/8	5 1/8	1 1/4	18 1/4	4200
LR-200-x	20	11 1/2	5 5/8	1 3/8	20 1/4	4550
LR-240-x	24	13 13/16	6 3/4	1 1/2	24 1/4	6160
LR-300-x	30	17 1/4	8 1/2	1 3/4	30 1/4	6160



### MATERIALS

Item	Description
Roller	Cast Iron

### NOTES

- Choose appropriate model for required finish:  
P-Plain. G-Electro Galvanized. H-Hot Dip Galvanized (non-threaded components only).
- Refer protection shield catalogs for sizing information for insulated pipes.

### APPLICATION

- \* Support of insulated / non-insulated pipes where longitudinal movement, due to expansion and contraction, may occur.

<u>Notes / Remarks :</u>	<u>Project</u> :	<b>LR</b> Long Roller	<u>Drawing no.</u>
	<u>Client</u> :		<b>S-2739.11</b> Rev. 2
	<u>Consultant</u> :		
	<u>Representative</u> :		