

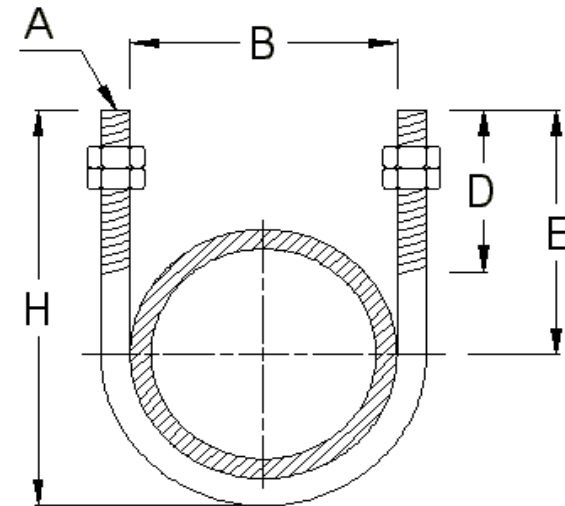
VIBRATION MANAGEMENT CORPORATION

5930 THOMAS ROAD , HOUSTON , TEXAS 77041 , U.S.A

INTERNET ADDRESS: www.vimco.biz



MODEL	PIPE SIZE (inches)	PART DIMENSIONS (inches)					MAX. LOAD (lbs)
		A	B	D	E	H	
UB-05-x	1/2	1/4	15/16	2 3/8	2 3/4	3 7/16	435
UB-07-x	3/4	1/4	1 1/8	2 3/8	2 3/4	3 9/16	435
UB-10-x	1	1/4	1 3/8	2 3/8	2 3/4	3 11/16	435
UB-12-x	1 1/4	3/8	1 11/16	2 3/8	2 7/8	4 1/8	1090
UB-15-x	1 1/2	3/8	2	2 1/2	3	4 3/8	1090
UB-20-x	2	3/8	2 7/16	2 5/8	3 1/4	4 7/8	1090
UB-25-x	2 1/2	1/2	2 15/16	3	3 3/4	5 3/4	2020
UB-30-x	3	1/2	3 9/16	3	4	6 1/4	2020
UB-35-x	3 1/2	1/2	4 1/16	3	4 1/4	6 13/16	2020
UB-40-x	4	1/2	4 9/16	3	4 1/2	7 1/4	2020
UB-50-x	5	1/2	5 5/8	3	5	8 5/16	2020
UB-60-x	6	5/8	6 3/4	3 3/4	6 1/8	10 1/16	3230
UB-80-x	8	5/8	8 3/4	3 3/4	7 1/8	12 1/8	3230
UB-100-x	10	3/4	10 7/8	4	8 3/8	14 9/16	4830
UB-120-x	12	7/8	12 7/8	4 1/4	9 5/8	16 15/16	6730
UB-140-x	14	7/8	14 1/8	4 1/4	10 1/4	18 13/16	6730
UB-160-x	16	7/8	16 1/8	4 3/4	11 1/4	22 3/16	6730
UB-180-x	18	1	18 1/8	4 3/4	12 5/8	22 11/16	8850
UB-200-x	20	1	20 1/8	4 3/4	13 5/8	24 11/16	8850
UB-240-x	24	1	24 1/8	4 3/4	15 5/8	28 11/16	8850
UB-300-x	30	1	30 1/8	4 3/4	18 5/8	34 11/16	8850
UB-320-x	32	1	32 1/8	4 3/4	20 5/8	36 11/16	8850



MATERIALS

Item	Description
U bolt + nuts	Low carbon steel

FEATURES

- * Simple, quick installation.

SPECIFICATIONS

- * Complies with Federal Specification A-A-1192A (Type 24)
- * Complies with ANSI/MSS SP-58-2009 (Type 24)

APPLICATION

- * Support, guide, or anchor of insulated / non-insulated pipes.

NOTES

1. Choose appropriate model for required finish:
P-Plain. G-Electro Galvanized.
2. Refer protection shield catalogs for sizing information for insulated pipes.
3. Add "L" to model suffix (e.g.UBL) to add elastomeric lining in area of contact between U bolt and pipe.

<u>Notes / Remarks :</u>	<u>Project :</u>	UB U Bolt	<u>Drawing no.</u>
	<u>Client :</u>		S-2739.31 Rev. 4
	<u>Consultant :</u>		
	<u>Representative :</u>		