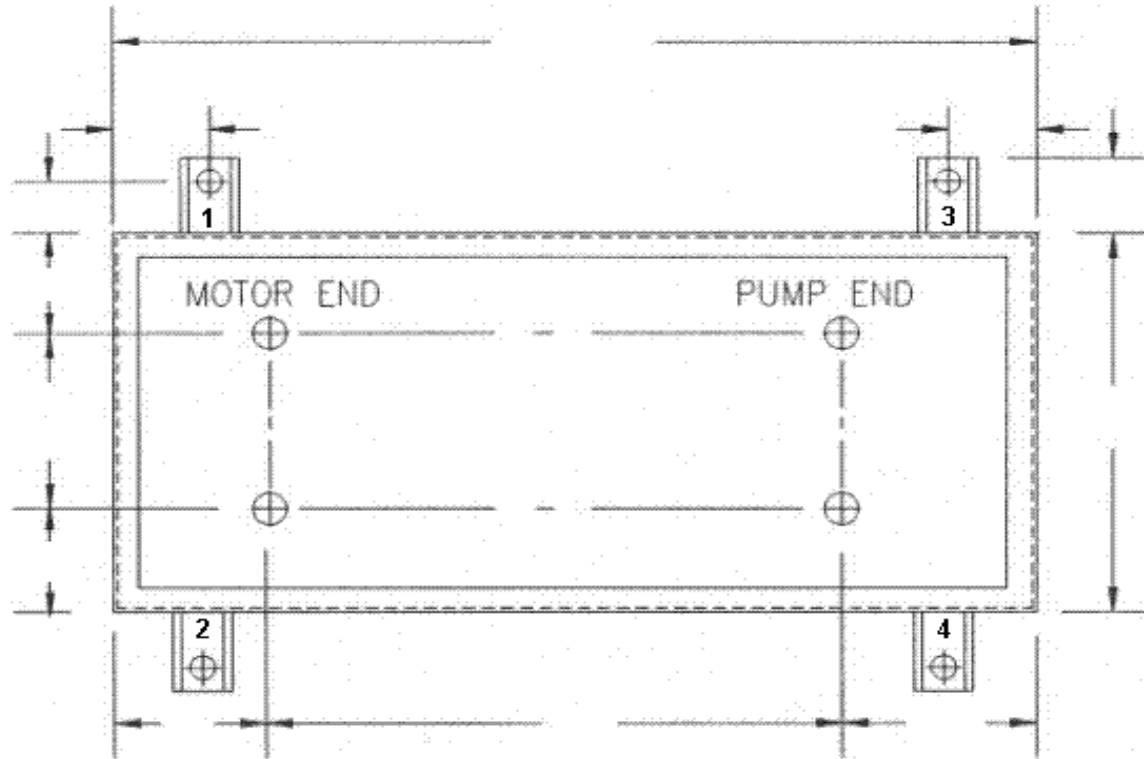


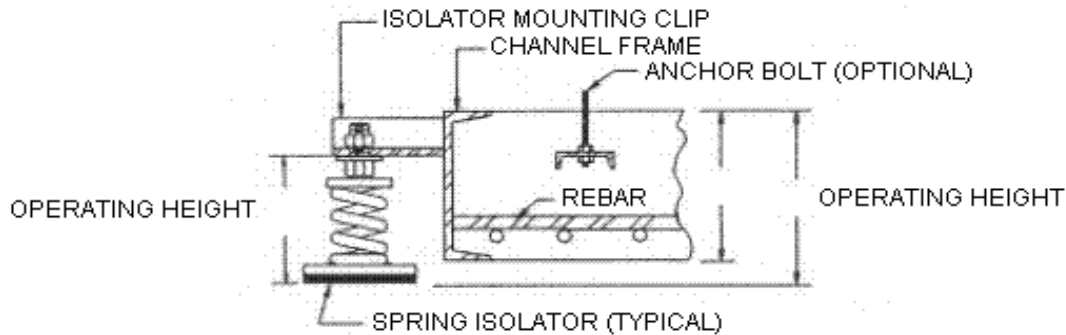
VIBRATION MANAGEMENT CORPORATION

5930 THOMAS ROAD , HOUSTON , TEXAS 77041 , U.S.A

INTERNET ADDRESS: www.vimco.biz



N.T.S



N.T.S

MANUFACTURER:																				
PUMP MODEL:																				
FRAME MODEL:																				
KW / HP:																				
RPM:																				
PUMP WEIGHT:																				
PIPING WEIGHT:																				
BASE WEIGHT:																				
TOTAL WEIGHT:																				
<table border="1" style="width: 100%; border-collapse: collapse;"> <thead> <tr> <th style="width: 10%;">LOC.</th> <th style="width: 15%;">LOAD</th> <th style="width: 15%;">ISOLATOR</th> <th style="width: 10%;">DEFL.</th> </tr> </thead> <tbody> <tr><td style="text-align: center;">1</td><td></td><td></td><td></td></tr> <tr><td style="text-align: center;">2</td><td></td><td></td><td></td></tr> <tr><td style="text-align: center;">3</td><td></td><td></td><td></td></tr> <tr><td style="text-align: center;">4</td><td></td><td></td><td></td></tr> </tbody> </table>	LOC.	LOAD	ISOLATOR	DEFL.	1				2				3				4			
LOC.	LOAD	ISOLATOR	DEFL.																	
1																				
2																				
3																				
4																				
" REBAR ON " CENTERS																				
OPERATING HEIGHT:																				
ANCHOR BOLTS																				
NUMBER:																				
DIAMETER:																				
PROJECTION:																				
ANCHOR BOLTS BY																				

Notes / Remarks :

Project :
 Client :
 Consultant :
 Representative :

Title :

INERTIA BASE
(4 Support points)

Drawing no.
S-3000.01

Rev. 2