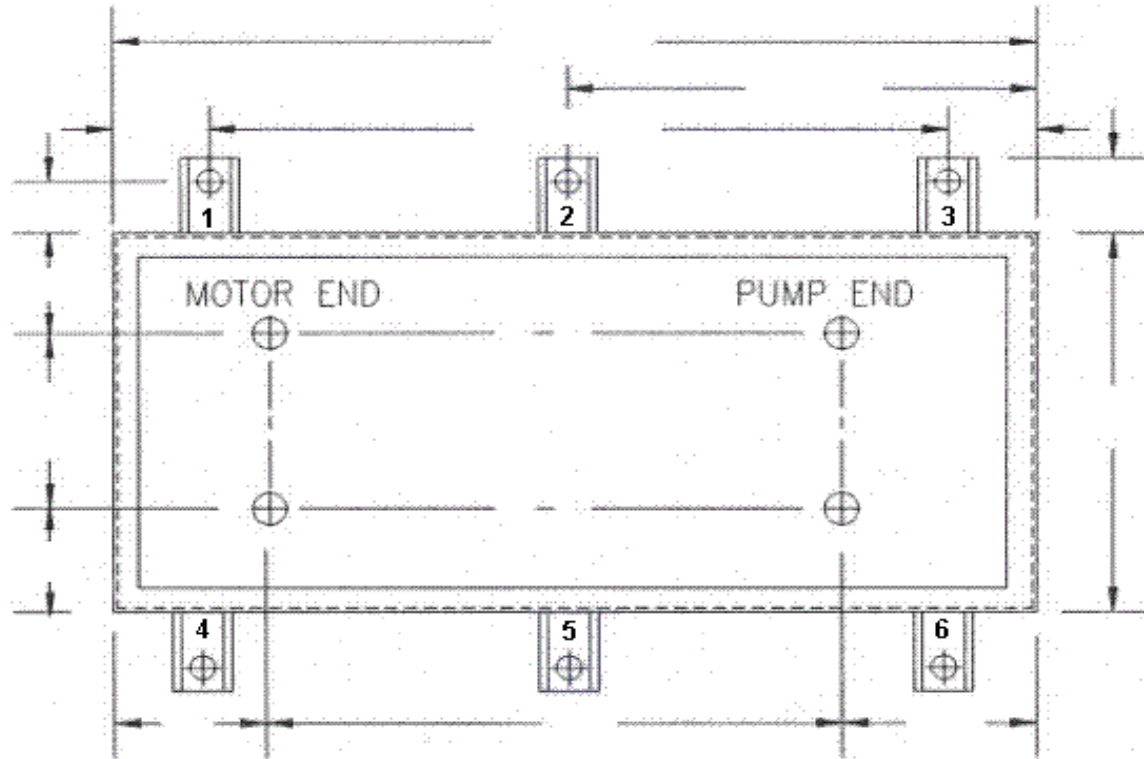


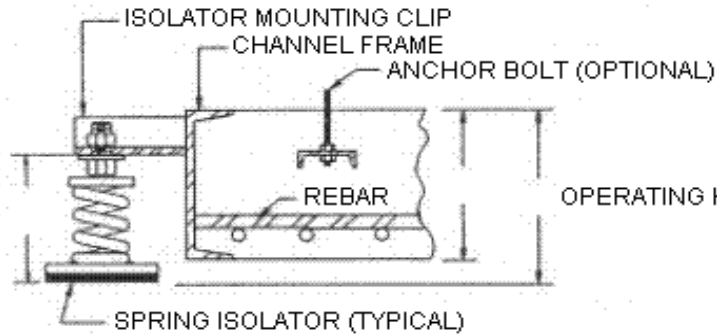
# VIBRATION MANAGEMENT CORPORATION

5930 THOMAS ROAD , HOUSTON , TEXAS 77041 , U.S.A

INTERNET ADDRESS: [www.vimco.biz](http://www.vimco.biz)



N.T.S



N.T.S

MANUFACTURER:			
PUMP MODEL:			
FRAME MODEL:			
KW / HP:			
RPM:			
PUMP WEIGHT:			
PIPING WEIGHT:			
BASE WEIGHT:			
TOTAL WEIGHT:			
LOC.	LOAD	ISOLATOR	DEFL.
1			
2			
3			
4			
5			
6			
" REBAR ON " CENTERS			
OPERATING HEIGHT:			
ANCHOR BOLTS			
NUMBER:			
DIAMETER:			
PROJECTION:			
ANCHOR BOLTS BY			

Notes / Remarks :

Project :  
 Client :  
 Consultant :  
 Representative :

Title :

**INERTIA BASE**  
(6 Support points)

Drawing no.  
**S-3000.02**

Rev. 0