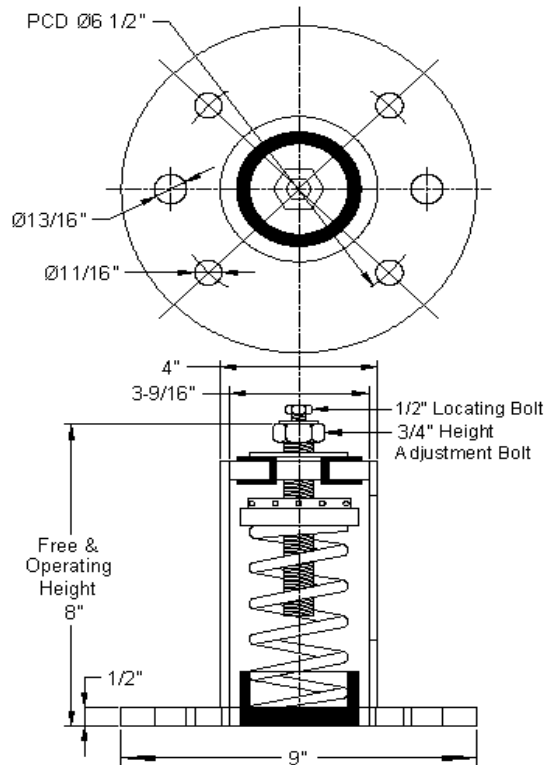
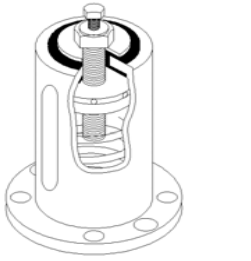


VIBRATION MANAGEMENT CORPORATION

5930 THOMAS ROAD , HOUSTON , TEXAS 77041 , U.S.A

INTERNET ADDRESS: www.vimco.biz



N.T.S

ISOLATOR MODEL	RATED LOAD (lbs)	SOLID LOAD (lbs)	SEISMIC G' RATING
SSM-1-150	83	125	48.75
SSM-1-151	150	225	26.98
SSM-1-152	216	325	18.73
SSM-1-153	300	450	13.49
SSM-1-154	400	600	10.11
SSM-1-155	500	750	8.09
SSM-1-156	600	900	6.74
SSM-1-157	733	1100	5.52
SSM-1-158	1200	1800	3.37
SSM-1-159	1666	2500	2.42
SSM-1-150-161	481	722	8.41
SSM-1-151-161	532	799	7.60
SSM-1-152-161	597	896	6.77
SSM-1-153-161	666	1000	6.07
SSM-1-154-161	750	1125	5.39
SSM-1-155-161	871	1307	4.64
SSM-1-156-161	1016	1525	3.98
SSM-1-157-161	1108	1663	3.65
SSM-1-158-161	1616	2425	2.50
SSM-1-159-161	2083	3125	1.94

G ratings based on attachment to steel. For concrete, ratings will be controlled by attachment methods + concrete strength.

NOTES

1. Isolators have a min. operating Kx/Ky ratio of 1.0
2. Springs have 50% additional travel to solid beyond rated load.
3. Isolators should be selected in the range of -30% to +25% of rated load.
4. Consult spring chart for isolator performance data.
5. All isolators certified to withstand minimum 1.0 G force.

FEATURES

- * Built-in leveling device
- * Mounting holes furnished as standard
- * Galvanized finish
- * High deflection, low natural frequency
- * Spring elements color-coded for easy field verification



Notes / Remarks :

Project :
Client :
Consultant :
Representative :

Title :

SSM-1
Seismic Spring Mount

(1" deflection)

Drawing no.
S-3100.01

Rev. 3