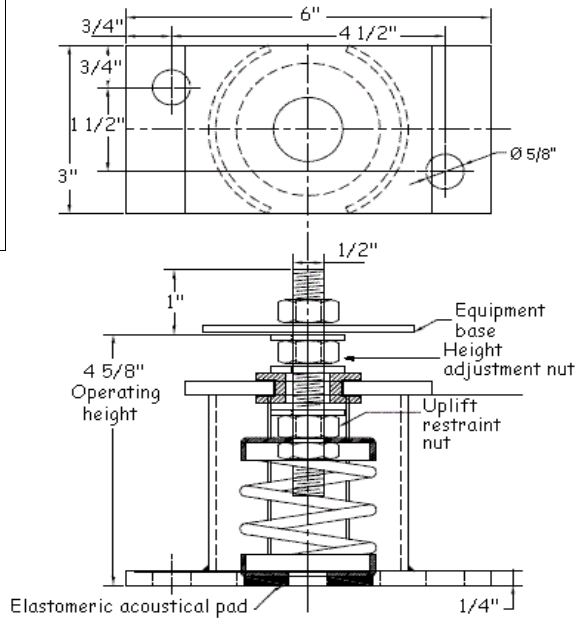
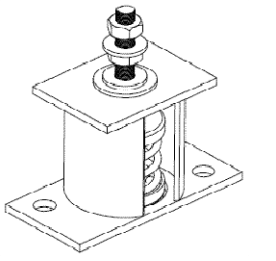


# VIBRATION MANAGEMENT CORPORATION

5930 THOMAS ROAD , HOUSTON , TEXAS 77041 , U.S.A

INTERNET ADDRESS: [www.vimco.biz](http://www.vimco.biz)



N.T.S

### NOTES

1. Isolators have a min. operating Kx/Ky ratio of 1.0
2. Springs have 50% additional travel to solid beyond rated load.
3. Isolators should be selected in the range of -30% to +25% of rated load.
4. Consult spring chart for isolator performance data.
5. Housing will be elevated from ground when installed. Pull down to floor with anchor bolts.

ISOLATOR MODEL	RATED LOAD (lbs)	SOLID LOAD (lbs)	SEISMIC 'G' RATING
SSMA-1-121	40	60	32.50
SSMA-1-122	66	100	19.69
SSMA-1-123	110	165	11.81
SSMA-1-124	173	260	7.51
SSMA-1-125	246	370	5.28
SSMA-1-126	300	450	4.33
SSMA-1-127	560	840	2.32

G ratings based on shake table testing at ISO 17025 accredited laboratory in accordance with ASCE 7-05 design parameters under OSHPD Special Seismic Certification Preapproval (OSP) program.



### FEATURES

- \* Built-in leveling device
- \* Welded construction
- \* Anti-skid elastomeric acoustical pad
- \* Spring elements color-coded for easy field verification
- \* Mounting holes furnished as standard
- \* High deflection, low natural frequency
- \* Large diameter laterally stable springs

Notes / Remarks :

Project :  
Client :  
Consultant :  
Representative :

Title :

**SSMA-1**  
Seismic Spring Mount

(1" deflection)

Drawing no.  
**S-3100.02**

Rev. 5