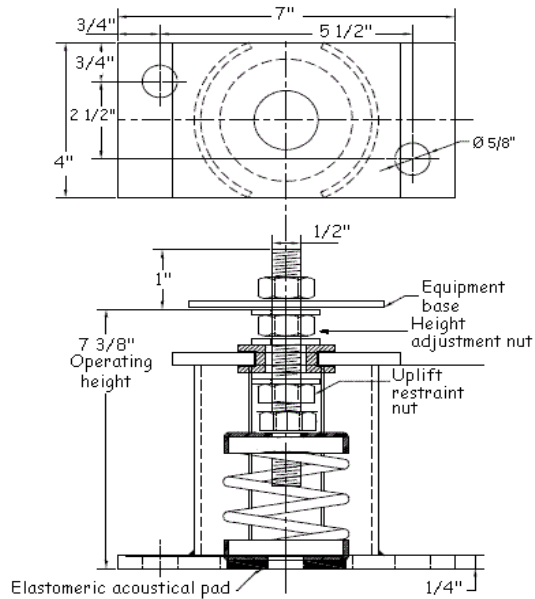
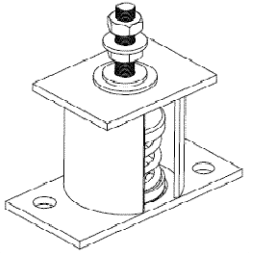


VIBRATION MANAGEMENT CORPORATION

5930 THOMAS ROAD , HOUSTON , TEXAS 77041 , U.S.A

INTERNET ADDRESS: www.vimco.biz



N.T.S

NOTES

1. Isolators have a min. operating Kx/Ky ratio of 1.0
2. Springs have 50% additional travel to solid beyond rated load.
3. Isolators should be selected in the range of -30% to +25% of rated load.
4. Consult spring chart for isolator performance data.
5. Housing will be elevated from ground when installed. Pull down to floor with anchor bolts.

ISOLATOR MODEL	RATED LOAD (lbs)	SOLID LOAD (lbs)	SEISMIC G' RATING
SSMB-1-150	83	125	34.89
SSMB-1-151	150	225	19.30
SSMB-1-152	216	325	13.40
SSMB-1-153	300	450	9.65
SSMB-1-154	400	600	7.24
SSMB-1-155	500	750	5.79
SSMB-1-156	600	900	4.82
SSMB-1-157	733	1100	3.95
SSMB-1-158	1200	1800	2.41
SSMB-1-159	1666	2500	1.73
SSMB-1-150-161	481	722	6.02
SSMB-1-151-161	532	799	5.44
SSMB-1-152-161	597	896	4.85
SSMB-1-153-161	666	1000	4.34
SSMB-1-154-161	750	1125	3.86
SSMB-1-155-161	871	1307	3.32
SSMB-1-156-161	1016	1525	2.85
SSMB-1-157-161	1108	1663	2.61
SSMB-1-158-161	1616	2425	1.79
SSMB-1-159-161	2083	3125	1.39

G ratings based on attachment to steel. For concrete, ratings will be controlled by attachment methods + concrete strength.

FEATURES

- * Built-in leveling device
- * Welded steel construction
- * Anti-skid elastomeric acoustical pad
- * Spring elements color-coded for easy field verification
- * Mounting holes furnished as standard
- * High deflection, low natural frequency



Notes / Remarks :

Project :
Client :
Consultant :
Representative :

Title :

SSMB-1
Seismic Spring Mount

(1" deflection)

Drawing no.
S-3100.03

Rev. 1