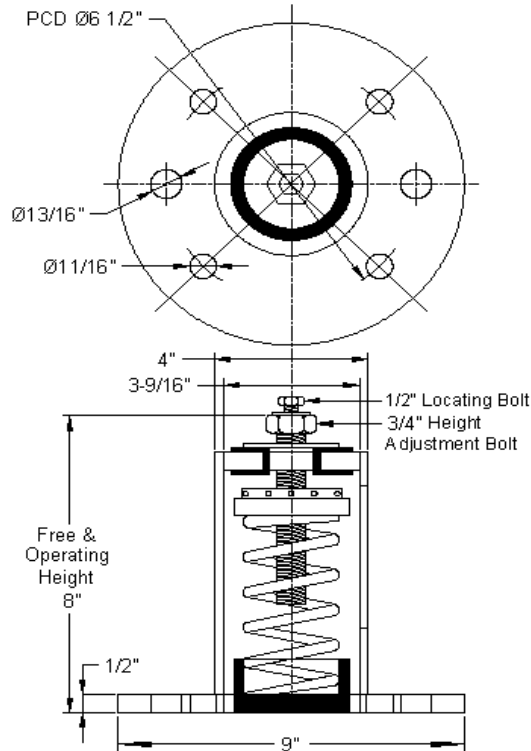
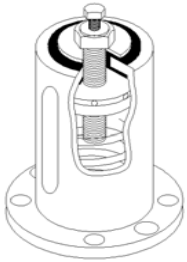


# VIBRATION MANAGEMENT CORPORATION

5930 THOMAS ROAD , HOUSTON , TEXAS 77041 , U.S.A

INTERNET ADDRESS: [www.vimco.biz](http://www.vimco.biz)



N.T.S

### NOTES

1. Isolators have a min. operating Kx/Ky ratio of 1.0
2. Springs have 50% additional travel to solid beyond rated load.
3. Isolators should be selected in the range of -30% to +25% of rated load.
4. Consult spring chart for isolator performance data.
5. All isolators certified to withstand minimum 1.0 G force.

### FEATURES

- \* Built-in leveling device
- \* Mounting holes furnished as standard
- \* Galvanized finish
- \* High deflection, low natural frequency
- \* Spring elements color-coded for easy field verification



G ratings based on attachment to steel. For concrete, ratings will be controlled by attachment methods + concrete strength.

ISOLATOR MODEL	RATED LOAD (lbs)	SOLID LOAD (lbs)	SEISMIC G' RATING
SSM-1-081	32	48	126.46
SSM-1-082	50	76	80.94
SSM-1-083	89	134	45.47
SSM-1-084	158	237	25.61
SSM-1-085	280	420	14.45
SSM-1-086	360	540	11.24
SSM-1-087	485	728	8.34
SSM-1-140	66	100	61.31
SSM-1-141	133	200	30.42
SSM-1-142	250	375	16.18
SSM-1-143	333	500	12.15
SSM-1-144	476	714	8.50
SSM-1-147	953	1430	4.24
SSM-1-148A	1261	1892	3.20
SSM-1-140-146B	460	690	8.79
SSM-1-141-146B	518	778	7.81
SSM-1-142-146B	650	976	6.22
SSM-1-143-146B	733	1100	5.52
SSM-1-144-146B	876	1314	4.61
SSM-1-147-146B	1353	2030	2.99
SSM-1-148A-146B	1661	2492	2.43
SSM-1-201	60	90	67.45
SSM-1-202	100	150	40.47
SSM-1-203	150	225	26.98
SSM-1-204	250	375	16.18
SSM-1-205	400	600	10.11
SSM-1-206	700	1050	5.78
SSM-1-207	926	1390	4.37
SSM-1-201-219	593	890	6.82
SSM-1-202-219	633	950	6.39
SSM-1-203-219	683	1025	5.92
SSM-1-204-219	783	1175	5.16
SSM-1-205-219	933	1400	4.33
SSM-1-206-219	1233	1850	3.28
SSM-1-207-219	1460	2190	2.77

<u>Notes / Remarks :</u>	Project :		<b>Title :</b> <b>SSM-1</b> <b>Seismic Spring Mount</b>  <b>(2" deflection)</b>	<u>Drawing no.</u> <b>S-3100.11</b>  <b>Rev. 2</b>
	Client :			
	Consultant :			
	Representative :			