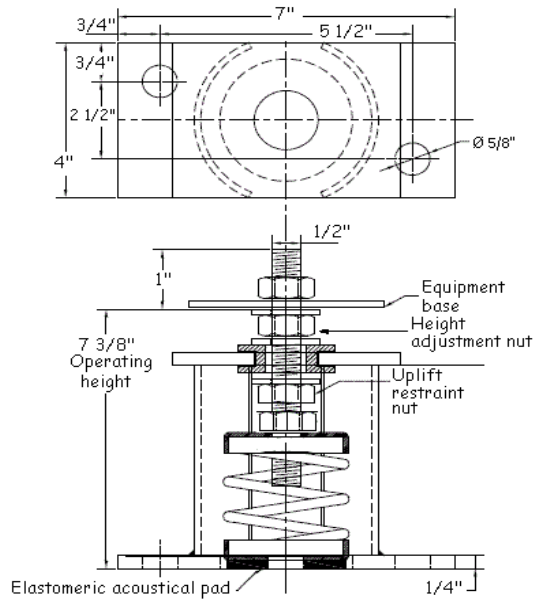
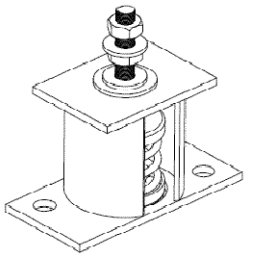


VIBRATION MANAGEMENT CORPORATION

5930 THOMAS ROAD , HOUSTON , TEXAS 77041 , U.S.A

INTERNET ADDRESS: www.vimco.biz



N.T.S

NOTES

1. Isolators have a min. operating Kx/Ky ratio of 1.0
2. Springs have 50% additional travel to solid beyond rated load.
3. Isolators should be selected in the range of -30% to +25% of rated load.
4. Consult spring chart for isolator performance data.
5. Housing will be elevated from ground when installed. Pull down to floor with anchor bolts.

ISOLATOR MODEL	RATED LOAD (lbs)	SOLID LOAD (lbs)	SEISMIC G' RATING
SSMB-1-081	32	48	90.50
SSMB-1-082	50	76	57.92
SSMB-1-083	89	134	32.53
SSMB-1-084	158	237	18.32
SSMB-1-085	280	420	10.34
SSMB-1-086	360	540	8.04
SSMB-1-087	485	728	5.97
SSMB-1-140	66	100	43.87
SSMB-1-141	133	200	21.77
SSMB-1-142	250	375	11.58
SSMB-1-143	333	500	8.69
SSMB-1-144	476	714	6.08
SSMB-1-147	953	1430	3.03
SSMB-1-148A	1261	1892	2.29
SSMB-1-140-146B	460	690	6.29
SSMB-1-141-146B	518	778	5.59
SSMB-1-142-146B	650	976	4.45
SSMB-1-143-146B	733	1100	3.95
SSMB-1-144-146B	876	1314	3.30
SSMB-1-147-146B	1353	2030	2.14
SSMB-1-148A-146B	1661	2492	1.74

G ratings based on attachment to steel. For concrete, ratings will be controlled by attachment methods + concrete strength.

FEATURES

- * Built-in leveling device
- * Welded steel construction
- * Anti-skid elastomeric acoustical pad
- * Spring elements color-coded for easy field verification
- * Mounting holes furnished as standard
- * High deflection, low natural frequency



Notes / Remarks :

Project :
Client :
Consultant :
Representative :

Title :

SSMB-1
Seismic Spring Mount

(2" deflection)

Drawing no.
S-3100.12

Rev. 1