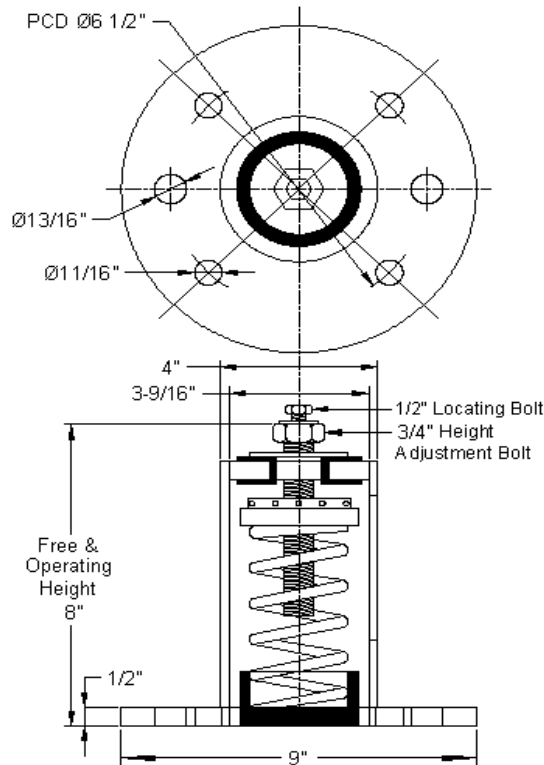
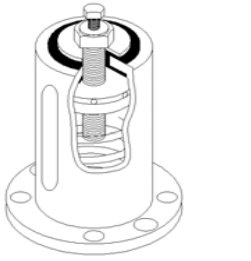


# VIBRATION MANAGEMENT CORPORATION

5930 THOMAS ROAD , HOUSTON , TEXAS 77041 , U.S.A

INTERNET ADDRESS: [www.vimco.biz](http://www.vimco.biz)



N.T.S

## NOTES

1. Isolators have a min. operating Kx/Ky ratio of 1.0
2. Springs have 50% additional travel to solid beyond rated load.
3. Isolators should be selected in the range of -30% to +25% of rated load.
4. Consult spring chart for isolator performance data.
5. All isolators certified to withstand minimum 1.0 G force.

ISOLATOR MODEL	RATED LOAD (lbs)	SOLID LOAD (lbs)	SEISMIC G' RATING
SSM-1-181	86	130	47.05
SSM-1-182	133	200	30.42
SSM-1-183	180	270	22.48
SSM-1-184	266	400	15.21
SSM-1-185	486	730	8.32
SSM-1-186	713	1070	5.67
SSM-1-187	926	1390	4.37
SSM-1-181-199	593	890	6.82
SSM-1-182-199	633	950	6.39
SSM-1-183-199	683	1025	5.92
SSM-1-184-199	783	1175	5.16
SSM-1-185-199	933	1400	4.33
SSM-1-186-199	1233	1850	3.28
SSM-1-187-199	1460	2190	2.77

*G ratings based on attachment to steel. For concrete, ratings will be controlled by attachment methods + concrete strength.*



## FEATURES

- \* Built-in leveling device
- \* Mounting holes furnished as standard
- \* Galvanized finish
- \* High deflection, low natural frequency
- \* Spring elements color-coded for easy field verification

Notes / Remarks :

Project :  
Client :  
Consultant :  
Representative :

Title :

**SSM-1**  
**Seismic Spring Mount**  
  
(3" deflection)

Drawing no.  
**S-3100.21**  
  
Rev. 1