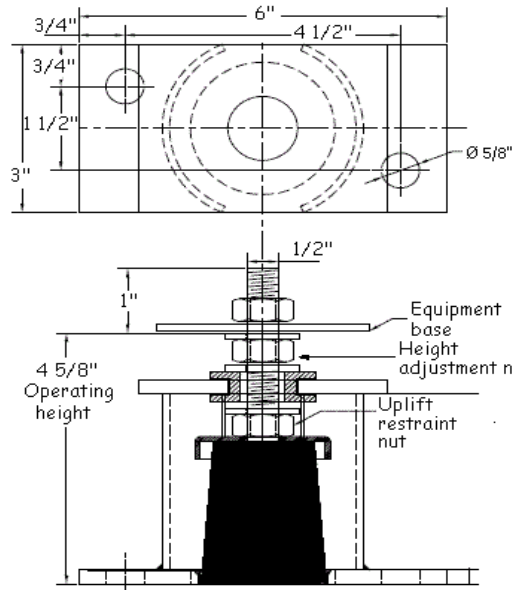


# VIBRATION MANAGEMENT CORPORATION

5930 THOMAS ROAD , HOUSTON , TEXAS 77041 , U.S.A

INTERNET ADDRESS: [www.vimco.biz](http://www.vimco.biz)



N.T.S

ISOLATOR MODEL	MAX LOAD (lbs)	DEFLECTION (inches)	SEISMIC 'G' RATING
SSMA-1-B1	165	1/2	7.87
SSMA-1-B2	235	1/2	5.53
SSMA-1-B3	375	1/2	3.46
SSMA-1-B4	572	1/2	2.27

*G ratings based on attachment to steel. For concrete, ratings will be controlled by attachment methods + concrete strength.*

### FEATURES

- \* Built-in leveling device
- \* Welded construction
- \* Mounting holes furnished as standard
- \* High deflection, low natural frequency
- \* Embedded steel plates for uniform loading.
- \* Elements color-coded for easy field verification  
*(color coding can be by 'dot' or 'complete element')*



Notes / Remarks :

Project :  
Client :  
Consultant :  
Representative :

Title :

**SSMA-1-B**  
Seismic Rubber Mount  
(Double deflection)

Drawing no.  
**S-3100.61**

Rev. 0